

# Industrial Hydro Extractors

## EL 239 259, ELM 239 259 289



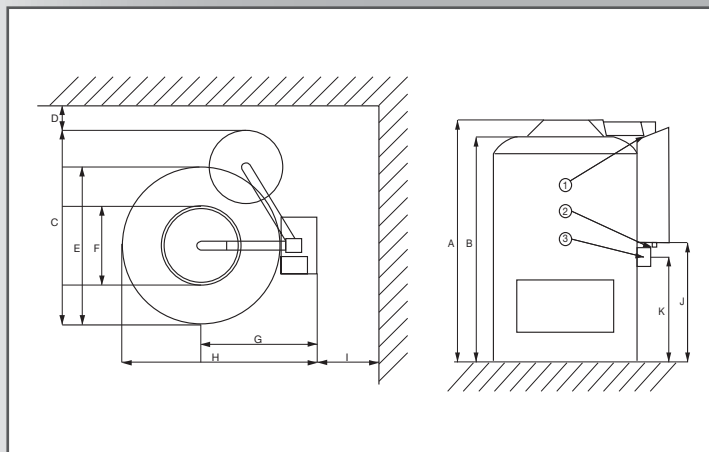
### FEATURES

- Stainless steel cabinet (AISI 304)
- Stainless steel drum and tub
- Easy access to all parts
- Flexible basket suspension reduces noise and vibrations to minimum (EL 239, 259)
- Fixed basket suspension idea for use on ships and drilling platforms (ELM 239, 259, 289)
- „Swing away“ lid for easy filling
- Safety lid of the extractor can be open only when basket has come to a complete stand still

### OPTIONS

- Coin op timer

TYPE		EL 239	ELM 239	EL 259	ELM 259	ELM 289
<b>CAPACITY</b>	kg	8-10	8-10	12-15	12-15	18-20
Capacity drum	l	38	38	58	58	88
<b>BASKET ROTATION</b>						
50 Hz	rpm	1450	1450	1450	1450	1450
60 Hz	rpm	1740	1740	1740	1740	1740
<b>G-FACTOR</b>		440	440	575	575	705
<b>OPERATION</b>						
Manual		+	+	+	+	+
Coins or tokens		+	+	+	+	-
Central control		+	+	+	+	-
<b>SHIPPING DATA</b>						
Net weight	kg	74	85	109	140	190
Gross weight						
Crimpfoiled case	kg	90	101	131	162	219
Wooden case	kg	140	151	192	223	396
Volume						
Crimpfoiled case	m <sup>3</sup>	0,57	0,57	0,8	0,8	1,18
Wooden case	m <sup>3</sup>	0,65	0,65	0,9	0,9	1,3
+ = Available - = Not available						



1. Operation keys
2. Electrical connection
3. Drain

Type	HE 239	HEM 239	HE 259	HEM 259	HEM 289
A (mm)	850	910	870	980	1050
B (mm)	780	840	800	910	990
C (mm)	665	665	790	790	920
D (mm)	>100	>100	>100	>100	>100
E (mm)	515	515	640	640	770
F (mm)	250	250	300	300	370
G (mm)	402	402	465	465	525
H (mm)	660	660	785	785	910
I (mm)	>250	>250	>250	>250	>250
J (mm)	340	400	360	480	550
K (mm)	320	390	330	420	470

Lavamac preserves the right to change the machines and the specification in this leaflet at any time, without prior notice. Details and photographs are only for information and never binding.

[www.lavamac.eu](http://www.lavamac.eu)

