

High Spin Industrial Washer Extractor LH 800, LH 1000, LH 1250

FEATURES

- Freestanding, high spin
- Stainless steel cabinet (AISI 304)
- Stainless steel drum and tub
- Graphitronic® - new graphic display with almost unlimited possibilities as:
 - Communication interface enabling remote service
 - Multilingual microprocessor
 - Freely programmable
- Extra large door opening (LH800, LH1000 Ø540 mm, LH1250 Ø650 mm)
- Two large drain valves (Ø103 mm)
- Easy access to all parts
- Standard liquid soap connections
- Frequency controlled motor
- PowerWash® perforated lifting ribs: more mechanical action, lower water consumption
- Air operated water inlet
- SuperEco washing programmes
 - significantly reduces water and electricity consumption
- Patented soap dispenser with 5 removable compartments

OPTIONS

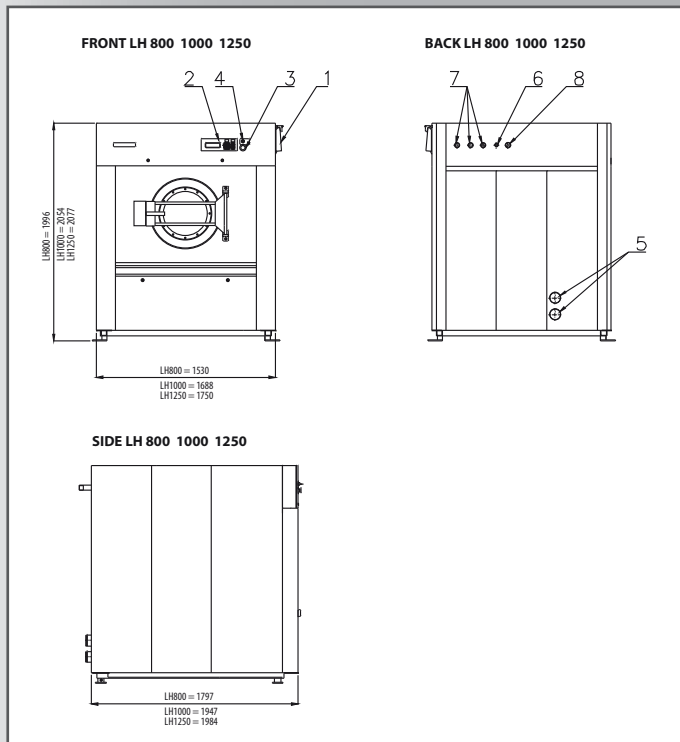
- Liquid soap pumps
- Trace-Tech® traceability software and networking system
- Electrical heating
- Forward tilting is available. Tilting of the machine is done by external platform



TYPE		LH 800	LH 1000	LH 1250
CAPACITY				
Drum volume	l	807	1003	1180
Capacity	kg lbs	80 176	100 220	120 265
Drum diameter	mm	Ø1110	Ø1200	Ø1300
MOTOR				
Frequency controlled		standard	standard	standard
DRUM SPEED				
Wash speed	rpm	35	35	34
Spin speed	rpm	750	725	700
G-Factor spin speed		350	350	350
PROGRAMMER				
Graphitronic® microprocessor		standard	standard	standard
CABINET				
Stainless steel AISI 304		standard	standard	standard
DRUM				
Stainless steel AISI 304		standard	standard	standard
HEATING				
Electrical	kW	67,5	-	-
Steam high pressure	bar psi	3-8 44-116	3-8 44-116	3-8 44-116
CONNECTION				
Electrical		3x380-480V 50/60Hz 3x208-240V 50/60Hz	3x380-480V 50/60Hz 3x208-240V 50/60Hz	3x380-480V 50/60Hz 3x208-240V 50/60Hz
	kW	11,25	15,25	18,5
Water inlet	inch	3x1 1/2"	3x1 1/2"	3x1 1/2"
Steam inlet inch	mm	1"	1"	1"
Compressed air inlet	mm	Ø8	Ø8	Ø8
Drain	inch	2x103 2x4"	2x103 2x4"	2x103 2x4"
DIMENSIONS HxWxD				
	mm	1996x1530x1797	2054x1688x1947	2077x1750x1984
TRANSPORT DATA				
Gross weight				
Case packaging	kg	2830	3045	3320
Net weight	kg	2640	2850	3115
Volume (packed)	m³	7,2	8,8	9,42
Case packaging HxWxD	mm	2220x1690x1860	2260x1848x2107	2342x2000x2170

- = Not available, Standard = Standard execution

The data concerning dimensions of machines include all extended parts



1. Soap hopper
2. Key board
3. Emergency stop
4. Change-over switch of programming regime
5. Drain valves
6. Steam connection
7. Water inlets
8. Drum ventilation

Lavamac preserves the right to change the machines and the specification in this leaflet at any time, without prior notice. Details and photographs are only for information and never binding.

www.lavamac.eu

