





IMESA S.p.A.

Via Degli Olmi, 22 - 31040 CESSALTO (TV) - ITALY
Tel. +390.421.46.80.11 Fax +390.421.46.80.00
Internet address: www.imesa.it e-mail: imesa@imesa.it

C ES 10_55 GB REV01/09/03 - The manufacturer declines all responsibility for any inaccuracies combined in this catalogue. The manufacturer reserves the right to bring, without warning, any modifications he might believe necessary, without changing the essential characteristics of the product.

DISTRIBUTORE / DISTRIBUTOR:

industrial laundry equipment



ES 10 14 18 23 34 55



Tumble Dryers





TECHNOLOGY IN PROGRESS

has been the driving philosophy of **IMESA** for the last 35 years.

Right from the beginning, **IMESA** has distinguished itself from others for its technical ability to satisfy customer's needs.

Today **IMESA** is market leader in Italy and is consolidating its position abroad too; first in Italy in the laundry branch, **IMESA** has obtained the quality Certificate ISO 9001: **a guarantee of quality and security.**

The company gathers the manufacturing, sales and account departments.



Our company system conforms to European Standards and offers customers a highly

specialised approach in a gentle and comfortable environment.



TUMBLE DRYERS 55 TILTING



Back and forward tilting help loading and unloading from/to conveyor.

IMESA programmable microprocessor provides a larger flexibility, failure notification on display, and end program warning.

The anti-wrinkle rotation at the end of the drying programme also provides for linen unload through open door.



- **HEATING SYSTEMS**
- **SAFETY STANDARDS**
- **LINT FILTER**



IMESA CERTIFIED QUALITY



Gas burners installed in **IMESA** dryers have gone through all safety tests complying with EU regulations also bearing the **certification issued by the renovated German institute DVGW.**



Inner drum and lint filter of **stainless steel AISI 304**



SPECIFICATIONS

Insulated outer drum to prevent heat dispersion and improve silent operation.

Innovative mechanics provided with **inverter** for speed control and gearbox fitted directly on drum-shaft; a better rotation performance is achieved, thus a voiding drive chain or belts maintenance.



Pneumatic Tilting system made of high quality components projected for the highest safety standards.



ES 10 14 18 23 34 55

TUMBLE DRYERS

IMESA produces a wide range of dryers complying with the needs of laundries from small to industrial size.

Their production takes place in a modern plant equipped with high-tech production machinery and processes undergoing **the severe quality controls ISO 9001.**

The whole range of dryers may be equipped with electric, steam or gas heated burners; gas heated burners are certified by DVGW; the new generation of accurate microprocessors manages all functions once offered only as optional.

IMESA dryers comply with **all safety standards** and perform at excellent levels of operational capability.



CERTIFIED QUALITY

IMESA machines are of good quality and extremely reliable. Our plants are certified and work according to the quality system standard UNI EN ISO 9001.

An investment in our machines is a high economical solution.

- **MICROPROCESSOR**
- **MECHANICAL DUAL TIMER**
- **SELF-SERVICE PROGRAMMER**
- **REVERSING DRUM**



Rotation inversion will prevent linen from rolling up especially when consisting of bed sheets and blankets.

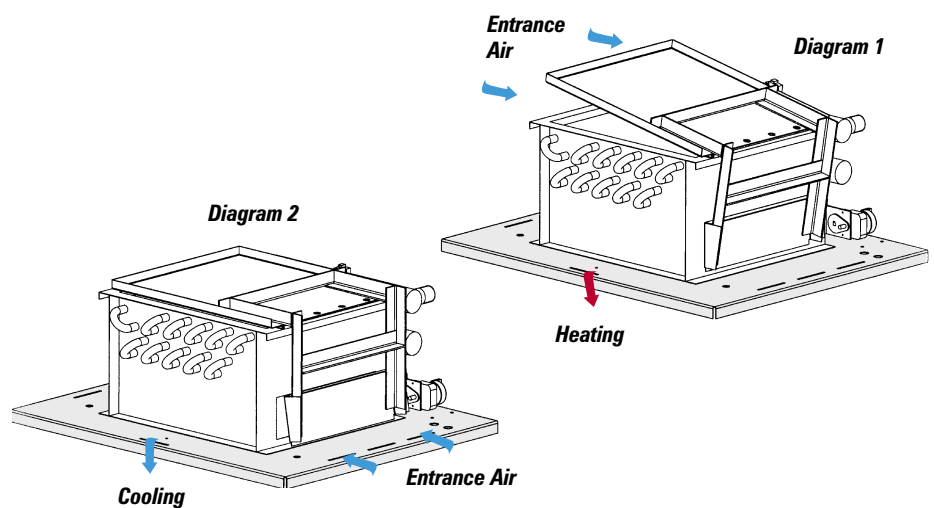
The new microprocessor **IMESA** enables to implement different rotation and inversion speeds to comply with the softness of treatment according to the various textiles.



Reversing drum is standard on models ES 23-34-55

In steam heated dryers, steam circulation **is always** in order to avoid shocks and possible damage to piping.

Temperature is controlled by motorized flaps shortening drying times and assuring longer durability.





PROGRAMMABLE MICROPROCESSOR

Already equipped with 10 drying programmes in 10 languages, the built-in microprocessor:

- manages drying times and temperatures
- commands cool-down times
- controls the **reversing drum and inversion** with possibility of different speeds in different programmes
- at the end of drying programme, **the anti-wrinkle starts**

At the same time our microprocessor controls all functional parameters and will **display any functioning** fault and necessary maintenance.

MECHANICAL DUAL TIMER

This reliable control features:

- drying time 0 to 60 minutes and cooling 0 to 15 minutes
- temperature controlled by thermostat
- rotation and rotation inversion at the end of drying programme
- anti-wrinkle starts.**



The wide diameter exhaust guarantees full escape of wetness

SELF-SERVICE & LAUNDROMAT SWITCH BOARD

This switchboard has been simplified for users' easy operation:

- 3 programmes may be selected in 10 languages
- the built-in microprocessor features sophisticated *INTEL* technology
- manages with a variety of currencies
- may be connected to any central cash system

Every programme is independently set according to:

- time duration
- temperature
- price for single programme
- supplement for extra drying time

Display informs about:

- price to be paid
- cycle duration, residual time and running temperature



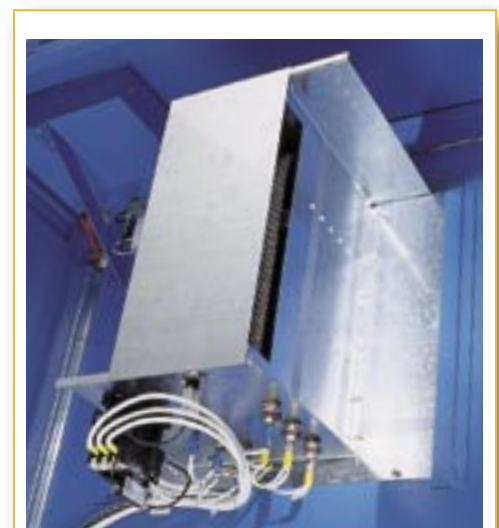
In case the door is opened an electromagnetic sensor with protection IP67, will stop the dryer from running; **IMESA** has increased safety levels

CONTROL SYSTEMS

IMESA dryers are characterized by easy operation and high reliability of technology.

In this respect the customer has two advantages: the dryer can be used also by inexperienced operators and the electronics is guaranteed by **IMESA** for 2 years.

The lint filter located on the lower air intake box has direct access and is easy to clean; it protects the fan and exhaust from lint. In case of clogging the depression sensor will activate the alert on display.



On request, **IMESA** will supply electric heaters of smaller power than standard.

All heating elements are double-walled, finned and able to work on 230 to 440V.